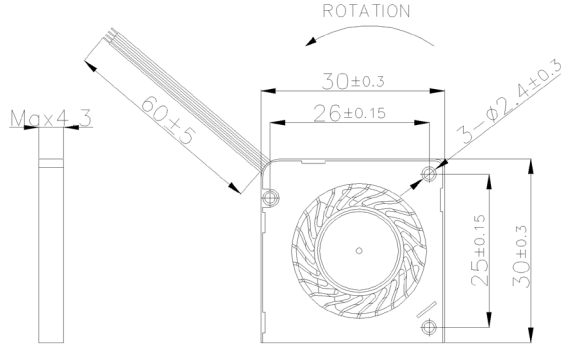
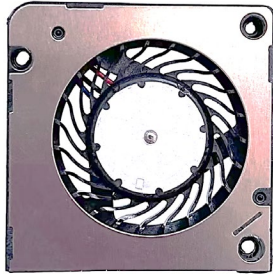
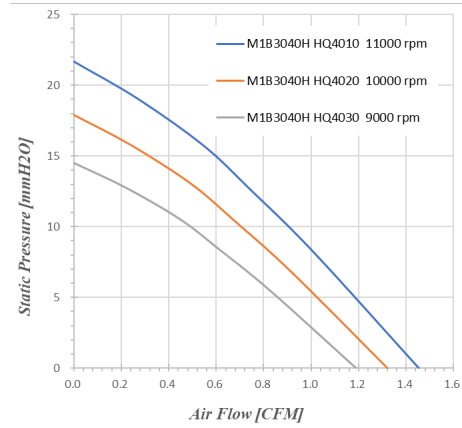


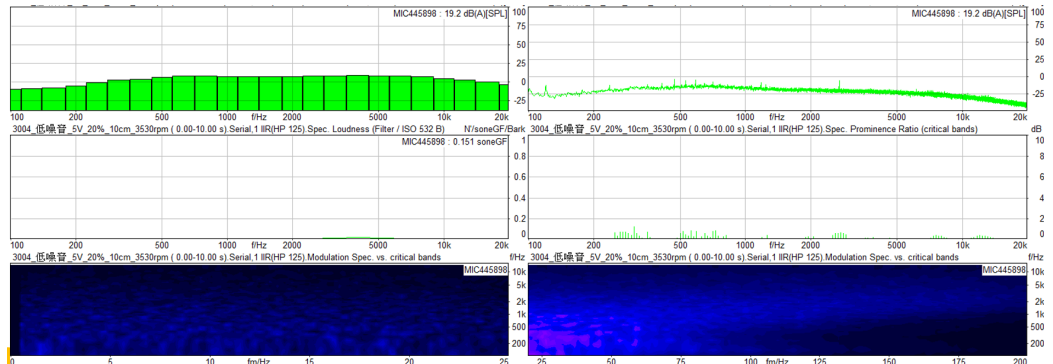
# iMiNi Fan 30\*30\*4 MM High Air Flow Series



Housing : Plastic (UL 94V-0)  
Blade : Plastic (UL 94V-0)  
Bearing Hydraulic Bearing  
Operating temp : -10 ~ 60 °C  
Mass : 5.6g

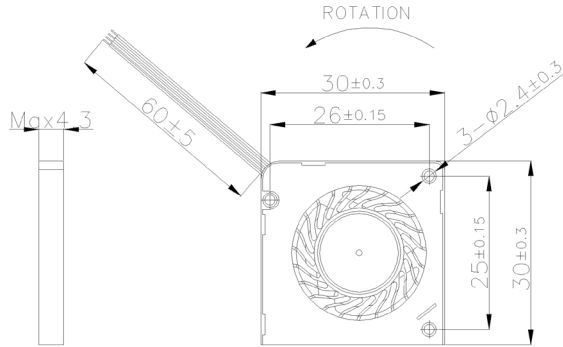
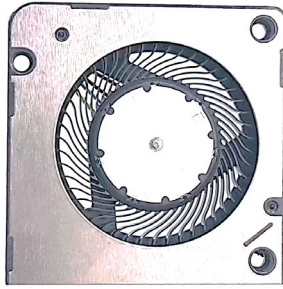


## 20% Duty Speed Sound Quality Spectrum

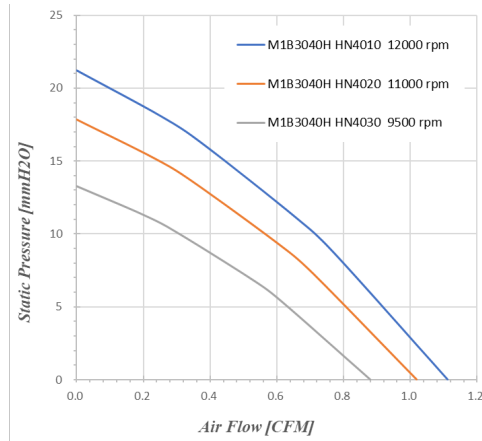


產品別	Model No.	Control Type	Bearing Type	Rated Voltage	Operating Voltage Range	Operating Temp.	Speed	Input Current	Input Power	Maximum Air Flow		Maximum Air Pressure			Noise	
				VDC	VDC	°C	R.P.M	Amp	Watt	CFM	l/min	inH2O	mmH2O	Pa	dB(A)@30CM	dB(A)@1M
Blower 3004 High Air Flow 5V Series	M1B3040H HQ4010	+/-FG/PWM	Hydraulic	5	3.5 to 5.5	-10~60	11000	0.38	1.88	1.45	41.17	0.85	21.7	212	43.0	32.5
	M1B3040H HQ4020	+/-FG/PWM	Hydraulic	5	3.5 to 5.5	-10~60	10000	0.26	1.30	1.32	37.42	0.71	17.9	176	40.9	30.7
	M1B3040H HQ4030	+/-FG/PWM	Hydraulic	5	3.5 to 5.5	-10~60	9000	0.18	0.92	1.19	33.68	0.57	14.5	142	38.0	28.0

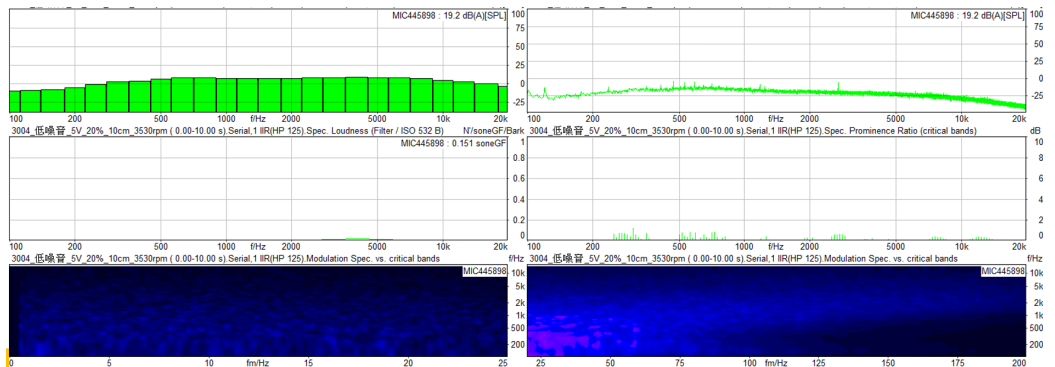
## iMiNi Fan 30\*30\*4 MM Low Noise Series



Housing : Plastic (UL 94V-0)  
Blade : Plastic (UL 94V-0)  
Bearing : Hydraulic Bearing  
Operating temp : -10 ~ 60 °C  
Mass : 5.6g

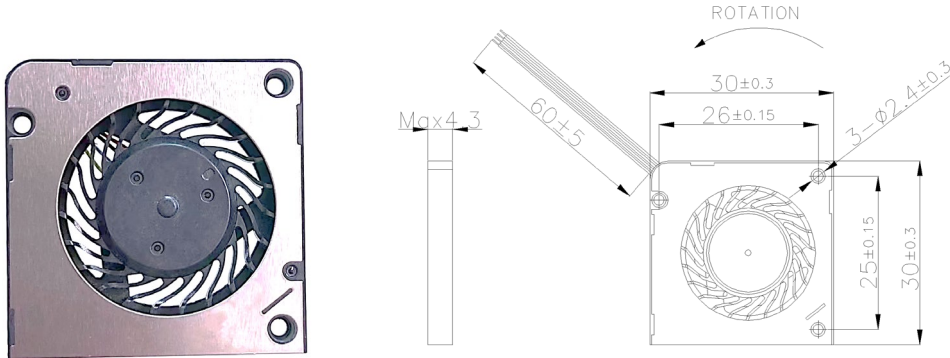


### 20% Duty Speed Sound Quality Spectrum

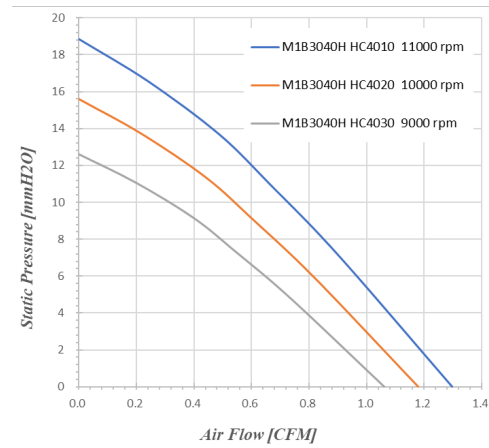


產品別	Model No.		Control Type	Bearing Type	Rated Voltage	Operating Voltage Range	Operating Temp.	Speed	Input Current	Input Power	Maximum Air Flow		Maximum Air Pressure			Noise	
					VDC	VDC	°C	R.P.M	Amp	Watt	CFM	l/min	inH2O	mmH2O	Pa	dB(A)@30CM	dB(A)@1M
Blower 3004 Low Noise 5V Series	M1B3040H	HN4010	+/-FG/PWM	Hydraulic	5	3.5 to 5.5	-10~60	12000	0.38	1.88	1.11	31.48	0.84	21.2	208	41.3	30.9
	M1B3040H	HN4020	+/-FG/PWM	Hydraulic	5	3.5 to 5.5	-10~60	11000	0.26	1.30	1.02	28.86	0.70	17.8	175	38.9	28.8
	M1B3040H	HN4030	+/-FG/PWM	Hydraulic	5	3.5 to 5.5	-10~60	9500	0.18	0.90	0.88	24.92	0.52	13.3	130	34.9	25.9

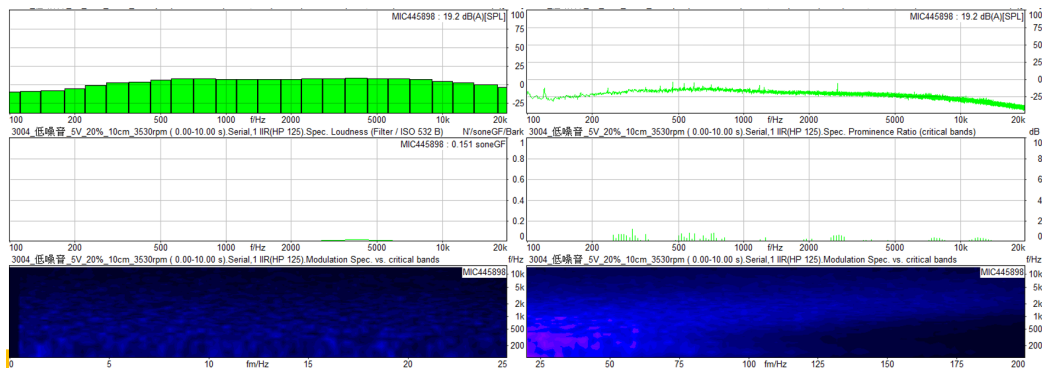
## iMiNi Fan 30\*30\*4 MM Series



Housing : Plastic (UL 94V-0)  
Blade : Plastic (UL 94V-0)  
Bearing : Hydraulic Bearing  
Operating temp : -10 ~ 60 °C  
Mass : 5.6g



## 20% Duty Speed Sound Quality Spectrum



產品別	Model No.	Control Type	Bearing Type	Rated Voltage	Operating Voltage Range	Operating Temp.	Speed	Input Current	Input Power	Maximum Air Flow			Maximum Air Pressure			Noise	
				VDC	VDC	°C				R.P.M	Amp	Watt	CFM	l/min	inH2O	mmH2O	Pa
Blower 3004 5V Series	M1B3040H	HC4010	+/-FG/PWM	Hydraulic	5	3.5 to 5.5	-10~60	11000	0.38	1.88	1.30	36.76	0.74	18.9	185	44.2	33.5
	M1B3040H	HC4020	+/-FG/PWM	Hydraulic	5	3.5 to 5.5	-10~60	10000	0.26	1.30	1.18	33.41	0.61	15.6	153	42.8	31.9
	M1B3040H	HC4030	+/-FG/PWM	Hydraulic	5	3.5 to 5.5	-10~60	9000	0.18	0.92	1.06	30.07	0.50	12.6	124	40.0	29.8